

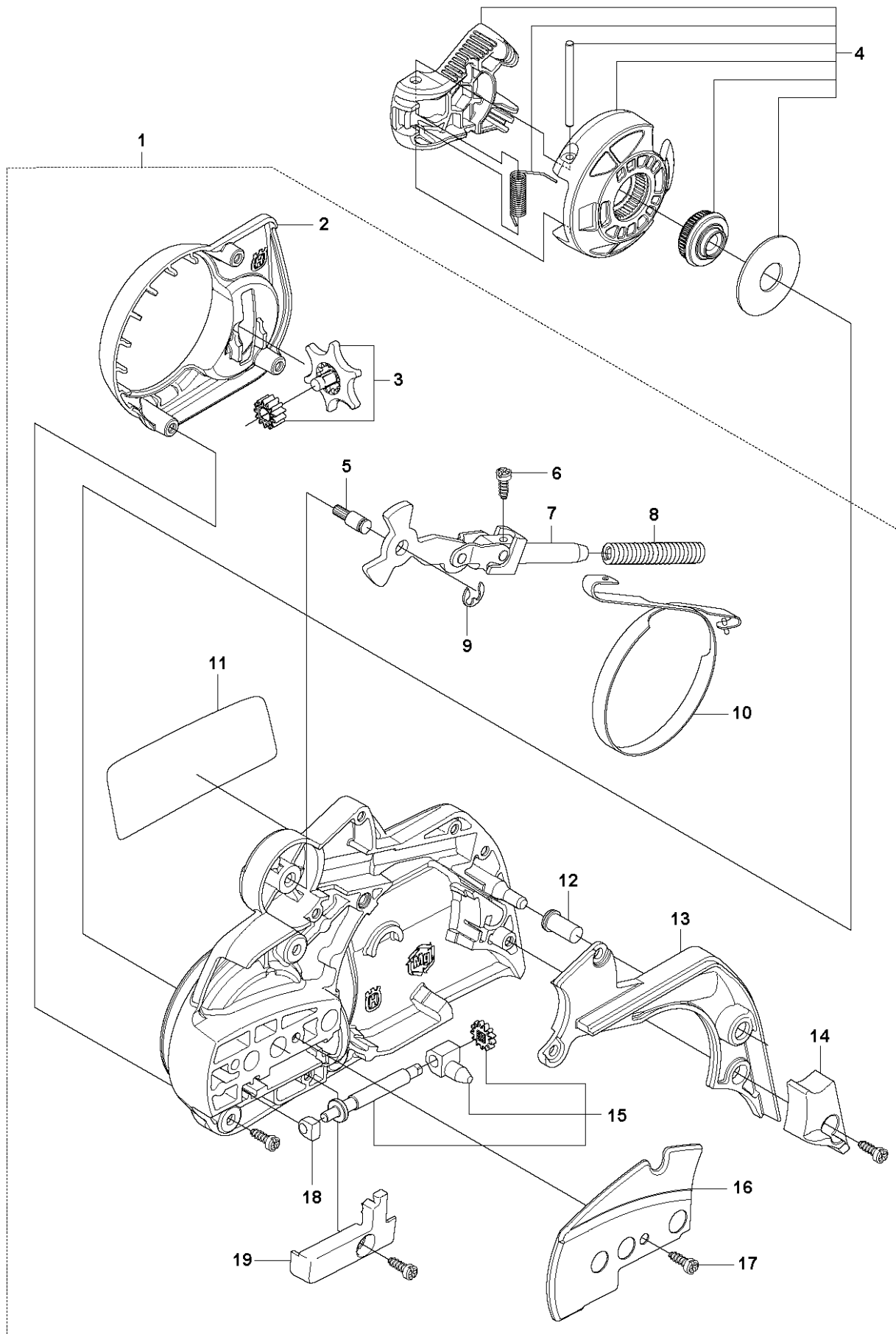


SPARE PARTS LIST

CHAIN SAWS

455 E, 2013-10

A1 ^{455e} CLUTCH COVER

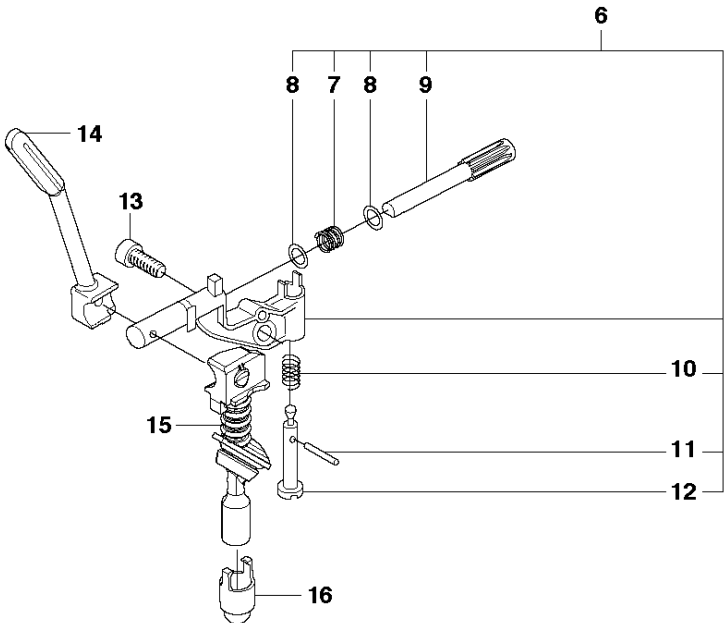
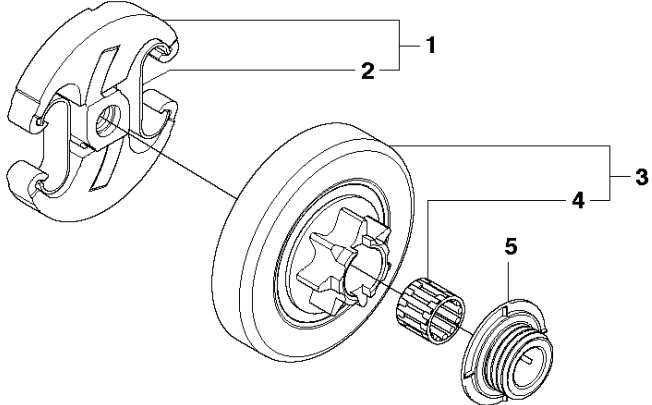


CLUTCH COVER

455 E, 2013-10

Ref	Part no.	Description	Remark	Qty	Kit
1	544 21 72-01	CLUTCH COVER ASSY		1	
2	537 39 26-01	HEAT PROTECTOR		1	1
3	537 34 72-01	CHAIN TENSIONER WHEEL		1	1
4	537 34 78-01	KNOB		1	
5	503 89 29-01	PIN KNEE-JOINT		1	1
6	503 21 70-10	SCREW CCRPANT		1	1
7	503 89 08-02	KNEE JOINT ASSY		1	1
8	503 46 59-01	BRAKE SPRING		1	1
9	735 31 08-20	E-CLIP		1	1
10	537 04 30-01	BRAKE BAND ASSY		1	1
11	544 35 75-01	LABEL		1	1
12	503 85 52-01	GUIDE BUSHING		1	1
13	544 08 29-01	COVER LID		1	1
14	544 08 30-01	WEAR PROTECTION		1	1
15	537 39 29-01	CHAIN TENSION SCREW		1	1
16	544 25 05-01	WEAR PLATE		1	1
17	503 21 70-10	SCREW CCRPANT		9	1
18	525 35 43-01	BEARING SLEEVE		1	1
19	504 54 28-01	COVER LID		1	1

B 455e, 455
CLUTCH & OIL PUMP

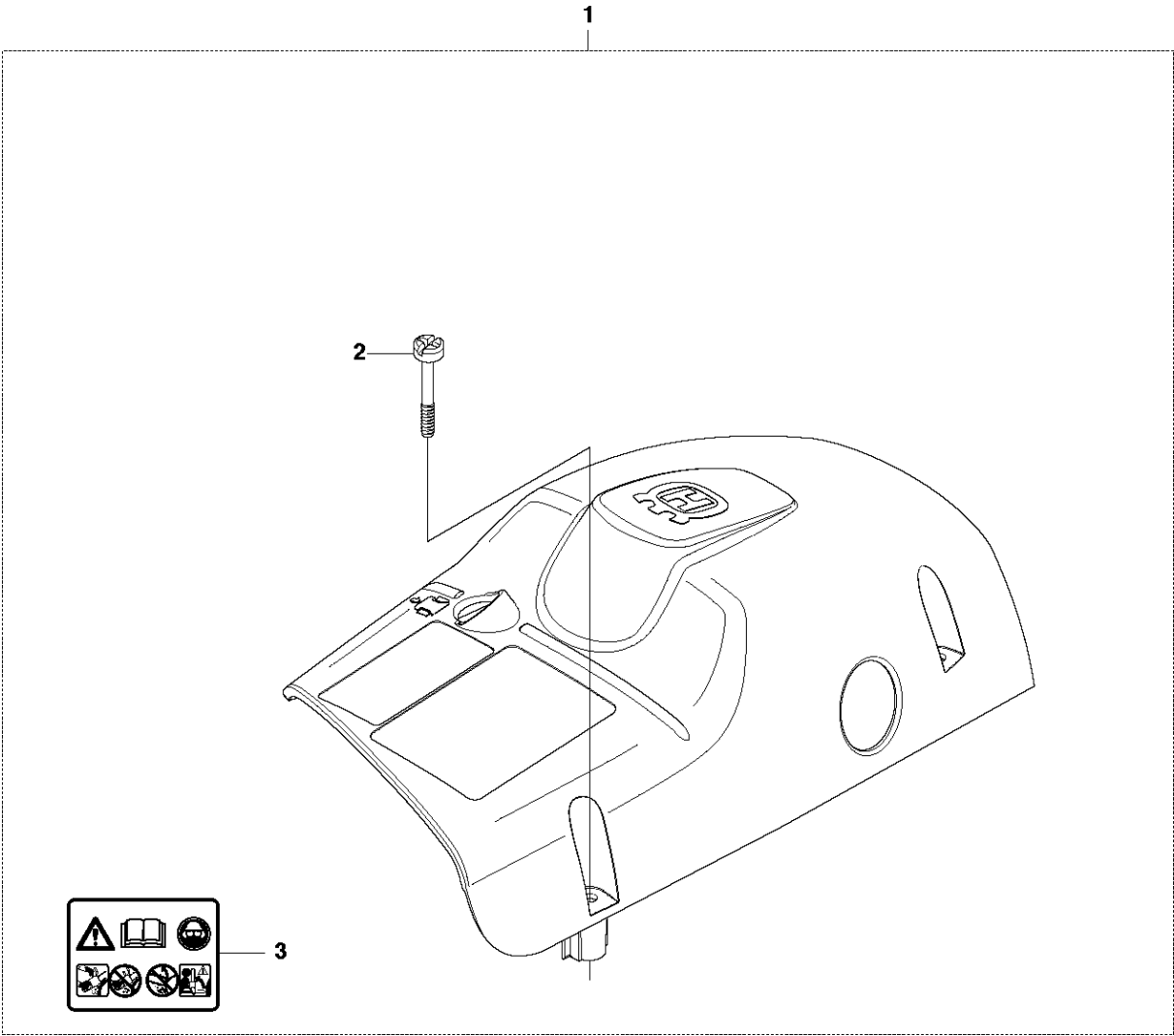


CLUTCH & OIL PUMP

455 E, 2013-10

Ref	Part no.	Description	Remark	Qty	Kit
1	537 11 05-03	CLUTCH ASSY		1	
2	537 35 91-01	CLUTCH SPRING		2	1
3	537 29 17-02	CLUTCH DRUM	".325"x7 SPUR"	1	
3	537 29 16-04	CLUTCH DRUM	"8"x7 SPUR"	1	
4	503 25 52-01	NEEDLE BEARING		1	3
5	537 25 26-01	PUMP PINION		1	
6	544 18 01-04	OIL PUMP ASSY		1	
7	503 89 16-01	SPRING		1	6
8	503 23 00-60	WASHER		1	6
9	537 06 93-02	PUMP PISTON		1	6
10	503 89 15-01	SPRING		1	6
11	721 11 64-30	GROOVED PIN		1	6
12	537 02 71-01	ADJUSTER		1	6
13	503 21 74-16	SCREW IHSCT		1	
14	537 26 15-01	OIL PRESSURE HOSE		1	
15	537 26 14-02	OIL HOSE		1	
16	510 04 43-01	OIL SCREEN		1	

C 455e, 455
COVER

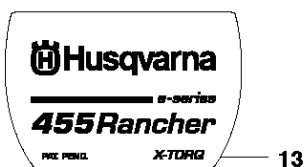
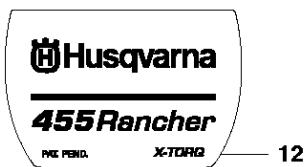
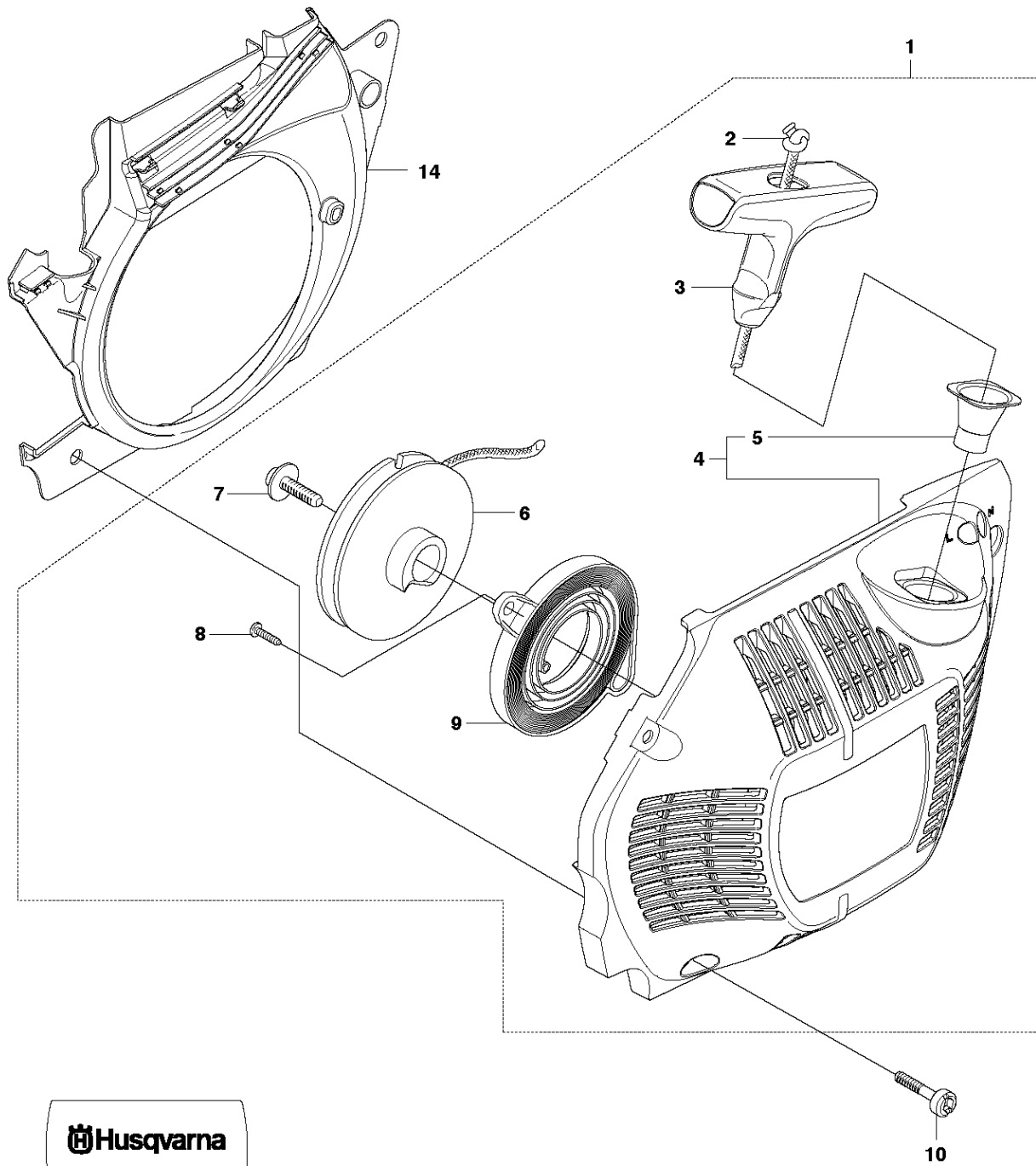


COVER

455 E, 2013-10

Ref	Part no.	Description	Remark	Qty	Kit
1	537 30 89-01	CYLINDER COVER		1	
2	503 20 34-76	SCREW CRPANMO		3	1
3	503 98 74-01	LABEL		1	1

D 455e, 455
STARTER

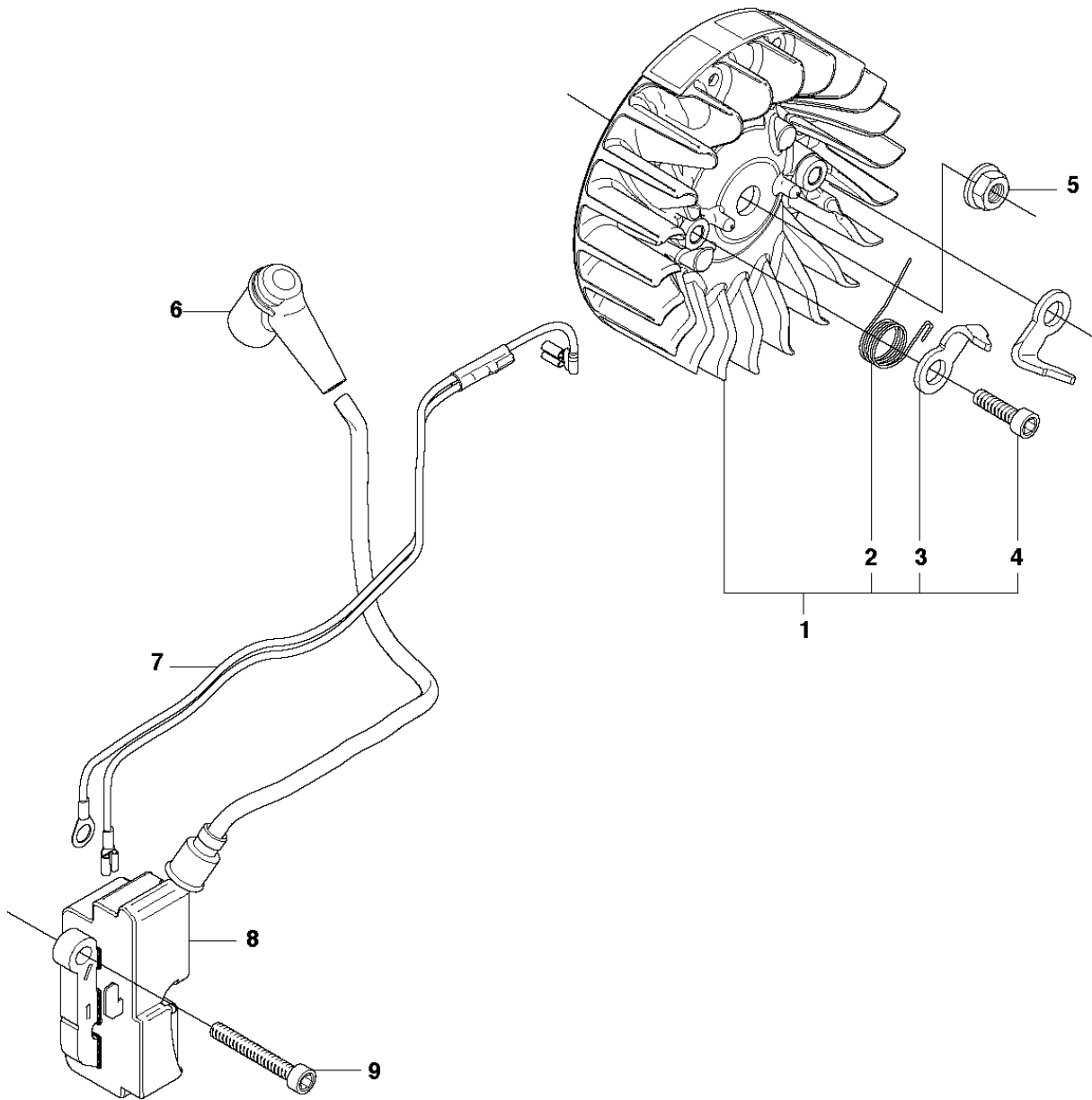


STARTER

455 E, 2013-10

Ref	Part no.	Description	Remark	Qty	Kit
1	537 28 42-01	STARTER ASSY		1	
2	505 30 51-25	STARTER CORD		1	1
3	537 23 25-01	STARTER HANDLE		1	1
4	537 28 41-02	STARTER HOUSING		1	1
5	537 28 32-01	REINFORCEMENT SLEEVE		1	1, 4
6	537 09 25-01	STARTER PULLEY		1	1
7	503 21 77-16	SCREW IHSCT		1	1
8	503 21 28-10	SCREW CCRPANT		2	1
9	537 24 17-01	SPRING CASSETTE ASSY		1	1
10	503 21 73-21	SCREW CIHSCTO		4	
12	537 32 33-04	DECAL		1	
13	537 32 33-06	DECAL		1	
14	537 26 09-01	AIR CONDUCTOR		1	

E 455e, 455
ELECTRICAL

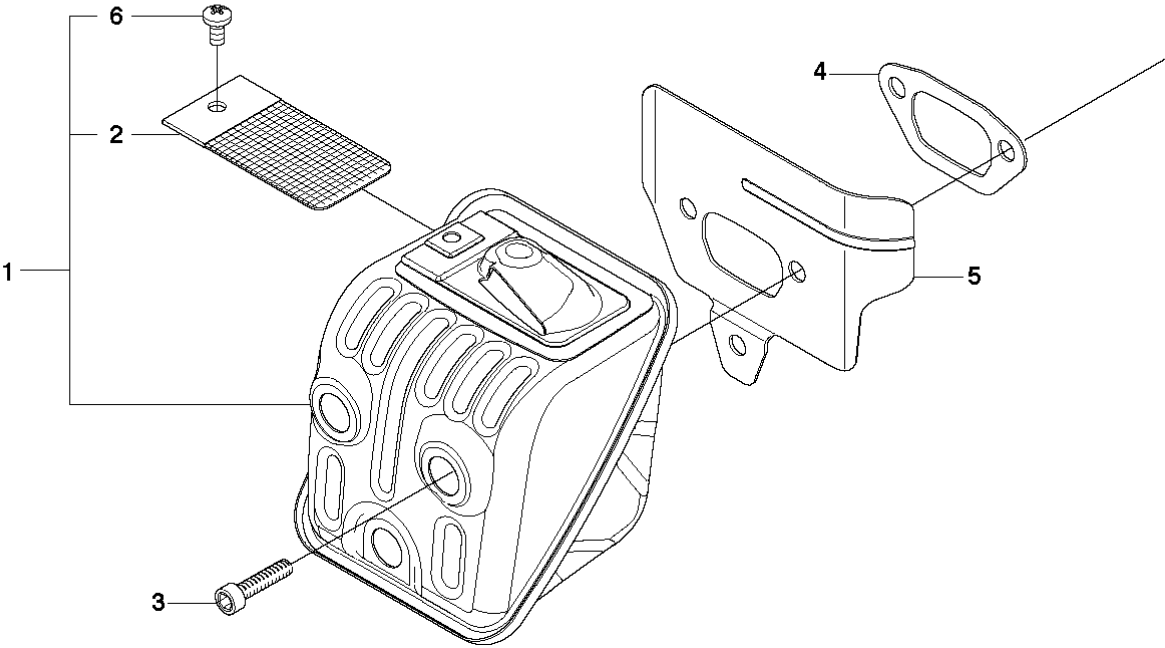


ELECTRICAL

455 E, 2013-10

Ref	Part no.	Description	Remark	Qty	Kit
1	537 29 27-01	FLYWHEEL ASSY		1	
2	529 27 11-01	SPRING		2	1
3	537 24 56-01	STARTER PAWL		2	1
4	501 81 99-03	SCREW		2	1
5	503 22 04-01	NUT		1	
6	501 48 54-02	SPARK PLUG CAP		1	
7	537 27 27-01	WIRING ASSY		1	
8	544 04 70-01	IGNITION MODULE		1	
9	503 21 55-25	SCREW IHSCFT		2	

F 455e, 455
MUFFLER

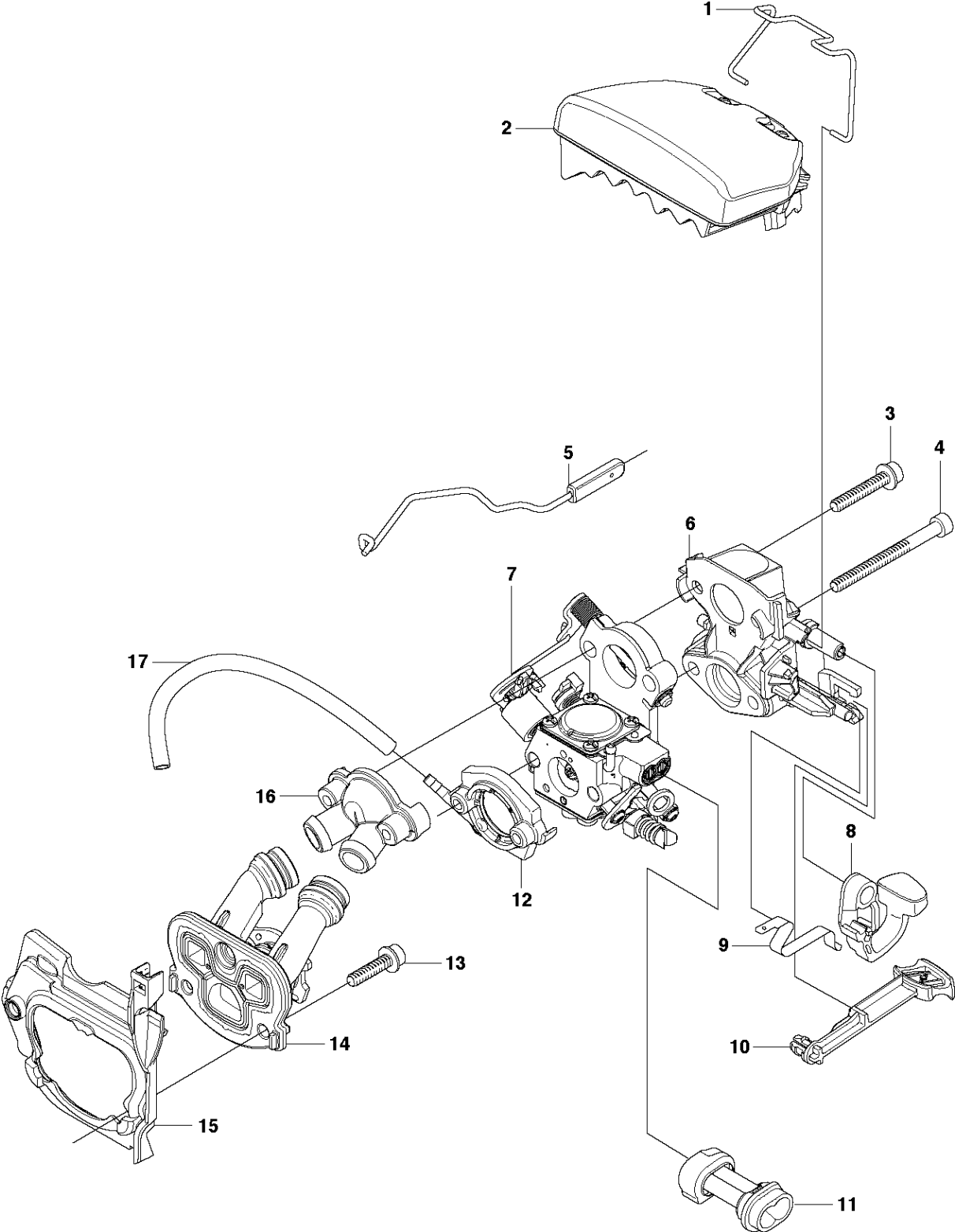


MUFFLER

455 E, 2013-10

Ref	Part no.	Description	Remark	Qty	Kit
1	505 41 62-02	MUFFLER ASSY		1	
2	544 11 68-02	SPARK ARRESTOR SCREEN		1	1
3	725 53 68-55	SCREW IHSCM		3	
4	537 28 77-01	GASKET MUFFLER		1	
5	537 28 76-01	HEAT DEFLECTOR		1	
6	724 12 87-59	SCREW CRPANM		1	1

G 455e, 455
CARBURETOR & AIR FILTER

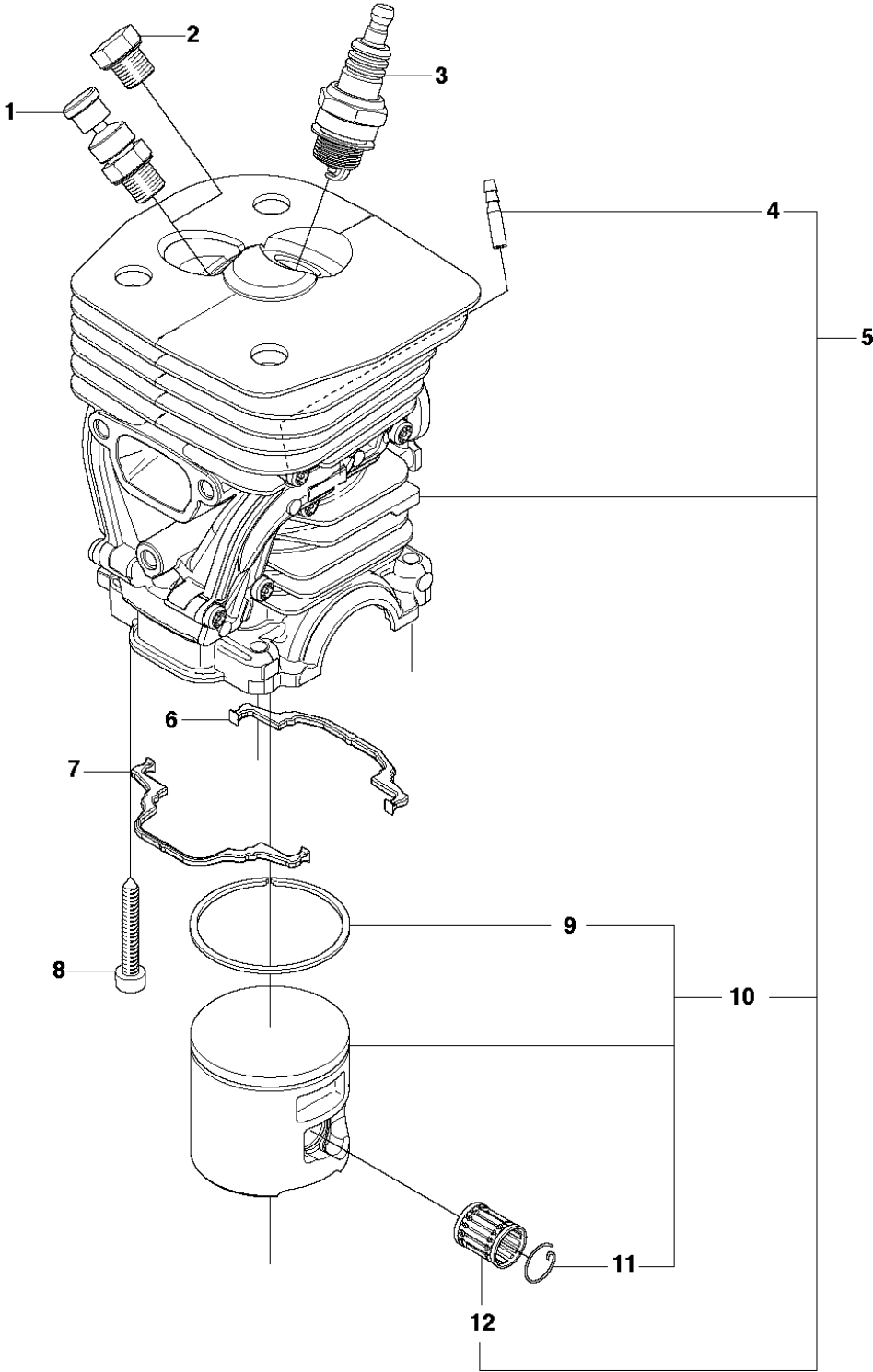


CARBURETOR & AIR FILTER

455 E, 2013-10

Ref	Part no.	Description	Remark	Qty	Kit
1	537 30 49-01	CLAMP		1	
2	537 25 57-01	AIR FILTER ASSY	μ80	1	
2	537 25 57-02	AIR FILTER ASSY	μ44	1	
2	537 25 57-03	AIR FILTER ASSY	FELT	1	
3	503 21 55-25	SCREW IHSCFT		2	
4	503 21 74-50	SCREW IHSCFT		2	
5	537 26 08-02	THROTTLE WIRE ASSY		1	
6	537 32 30-01	INLET ELBOW		1	
7	544 88 30-01	CARBURETTOR	Walbro WTEA-1	1	
8	537 25 55-01	STOP CONTROL		1	
9	503 86 97-02	SHORT CIRCUIT SPRING		1	
10	537 25 56-01	CHOKE CONTROL		1	
11	544 07 14-01	GUIDE SLEEVE CARB		1	
12	537 24 15-01	FLANGE		1	
13	503 20 02-16	SCREW IHSCFM		3	
14	537 32 10-02	INLET PIPE ASSY		1	
15	537 37 14-01	INSULATION WALL		1	
16	537 24 14-01	FLANGE		1	
17	503 40 06-10	IMPULSE HOSE		1	

H 455e, 455
CYLINDER PISTON

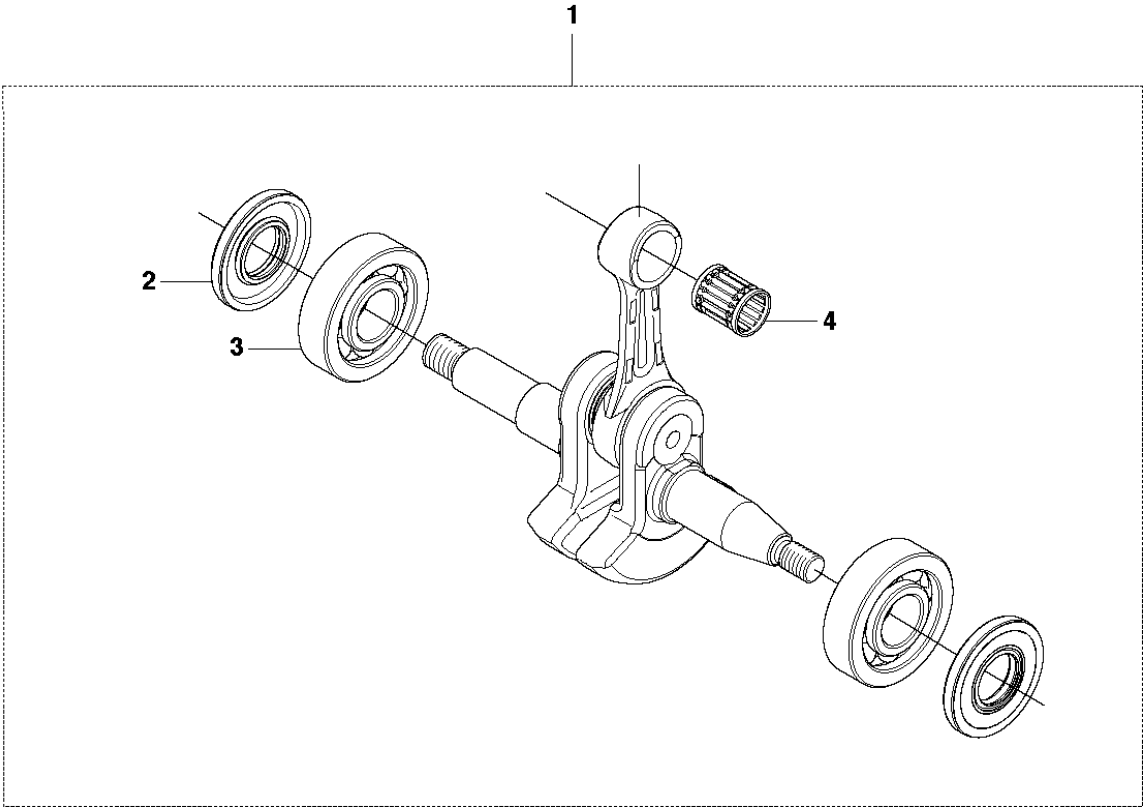


CYLINDER PISTON

455 E, 2013-10

Ref	Part no.	Description	Remark	Qty	Kit
1	537 31 05-01	DECOMPRESSION VALVE		1	
2	503 55 22-01	PLUG		1	
3	503 23 51-08	SPARK PLUG	RCJ7Y	1	
4	503 42 43-01	IMPULSE NIPPLE		4	5
5	537 32 04-02	CYLINDER ASSY	455	1	
6	537 24 58-01	GASKET		1	
7	537 24 57-01	GASKET		1	
8	503 20 05-27	SCREW IHSCM		4	
9	503 28 90-50	PISTON RING	455	1	10, 5
10	537 29 30-04	PISTON ASSY	455	1	5
11	737 43 12-00	SNAP RING		2	10, 5
12	501 86 18-01	NEEDLE BEARING		1	5

J 455e, 455
CRANKSHAFT

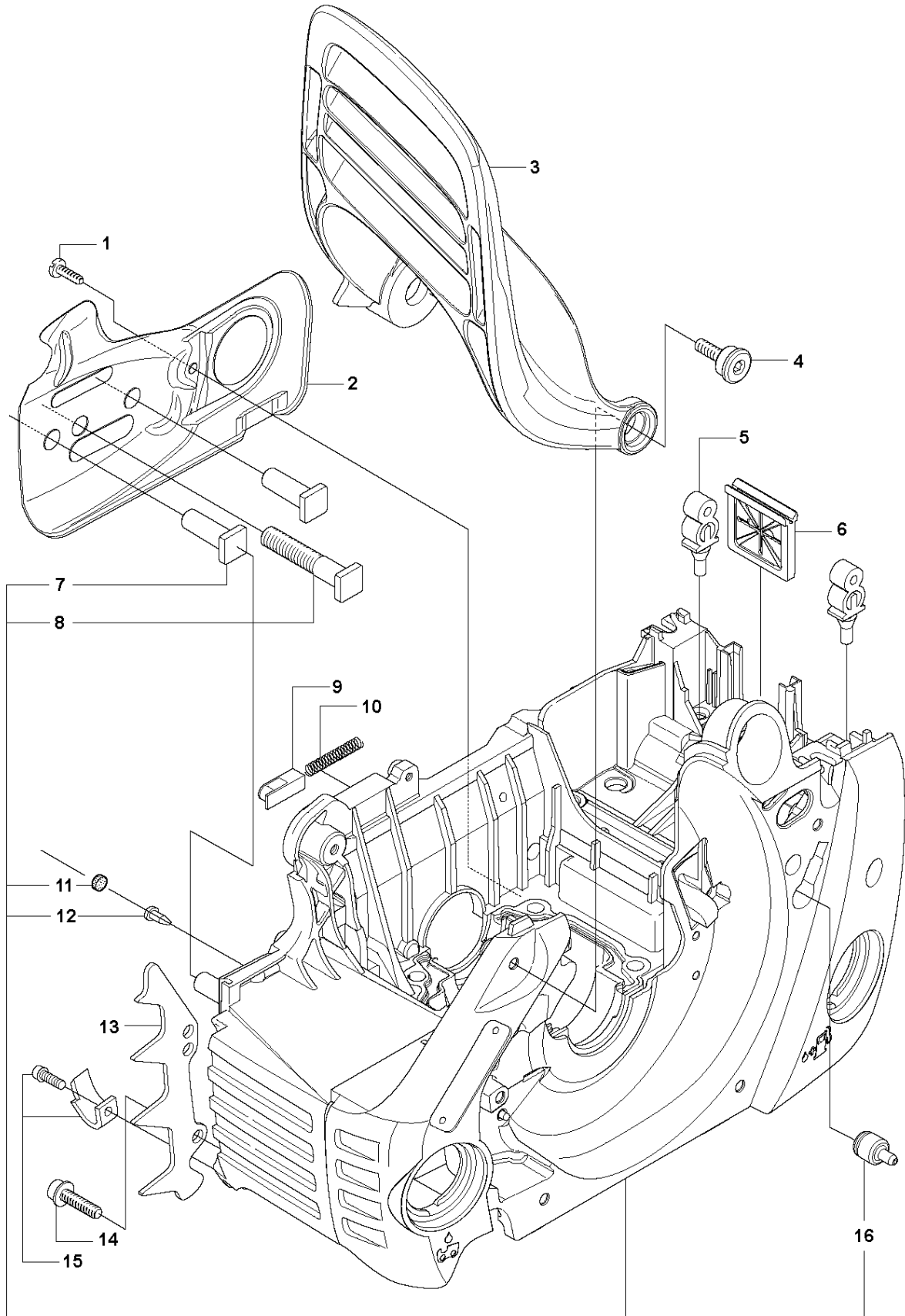


CRANKSHAFT

455 E, 2013-10

Ref	Part no.	Description	Remark	Qty	Kit
1	537 31 40-02	CRANKSHAFT ASSY		1	
2	503 26 19-01	SEALING		2	1
3	503 25 16-02	BALL BEARING		2	1
4	501 86 18-01	NEEDLE BEARING		1	1

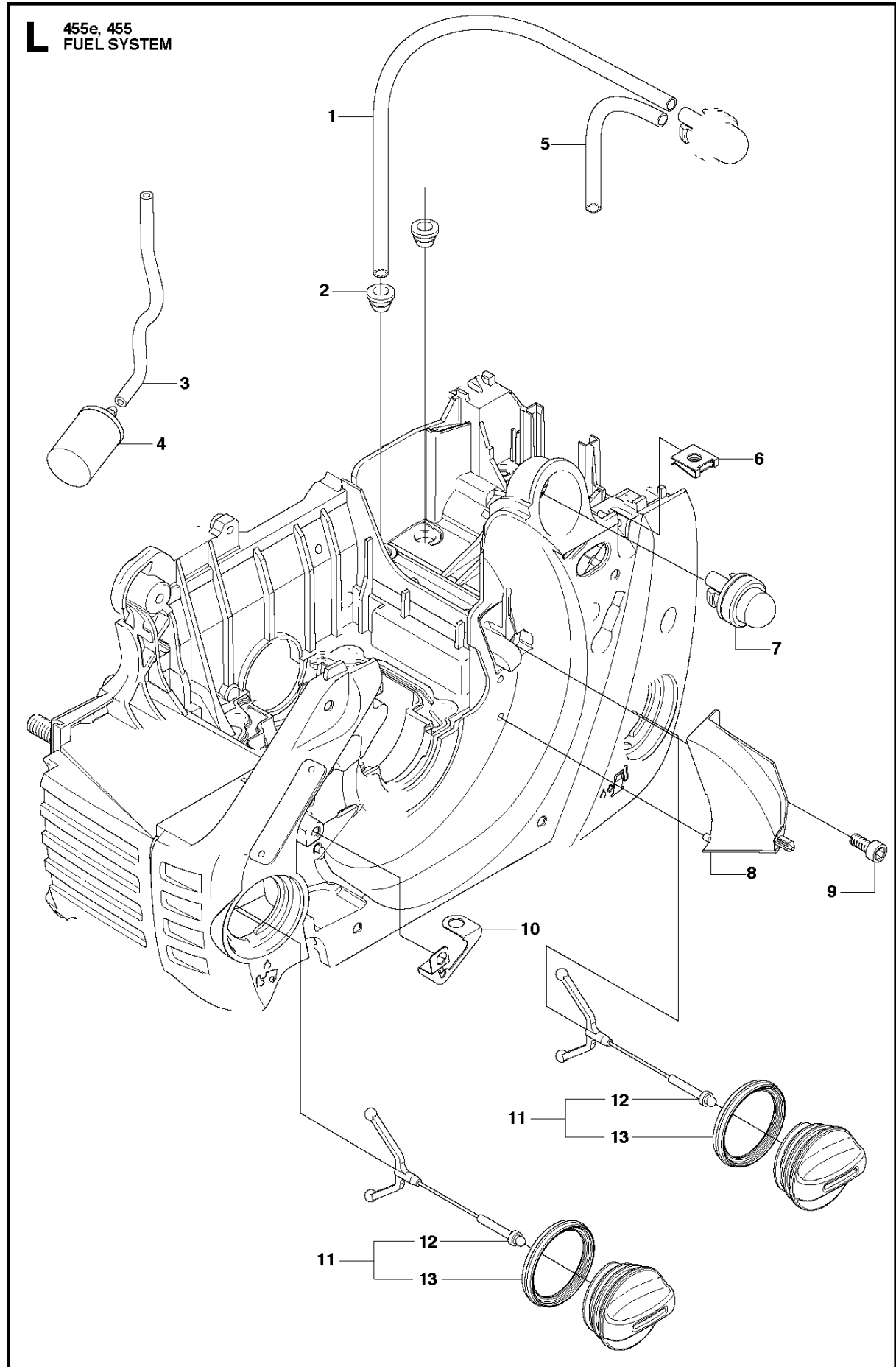
K1 455e
CRANKCASE



CRANKCASE

455 E, 2013-10

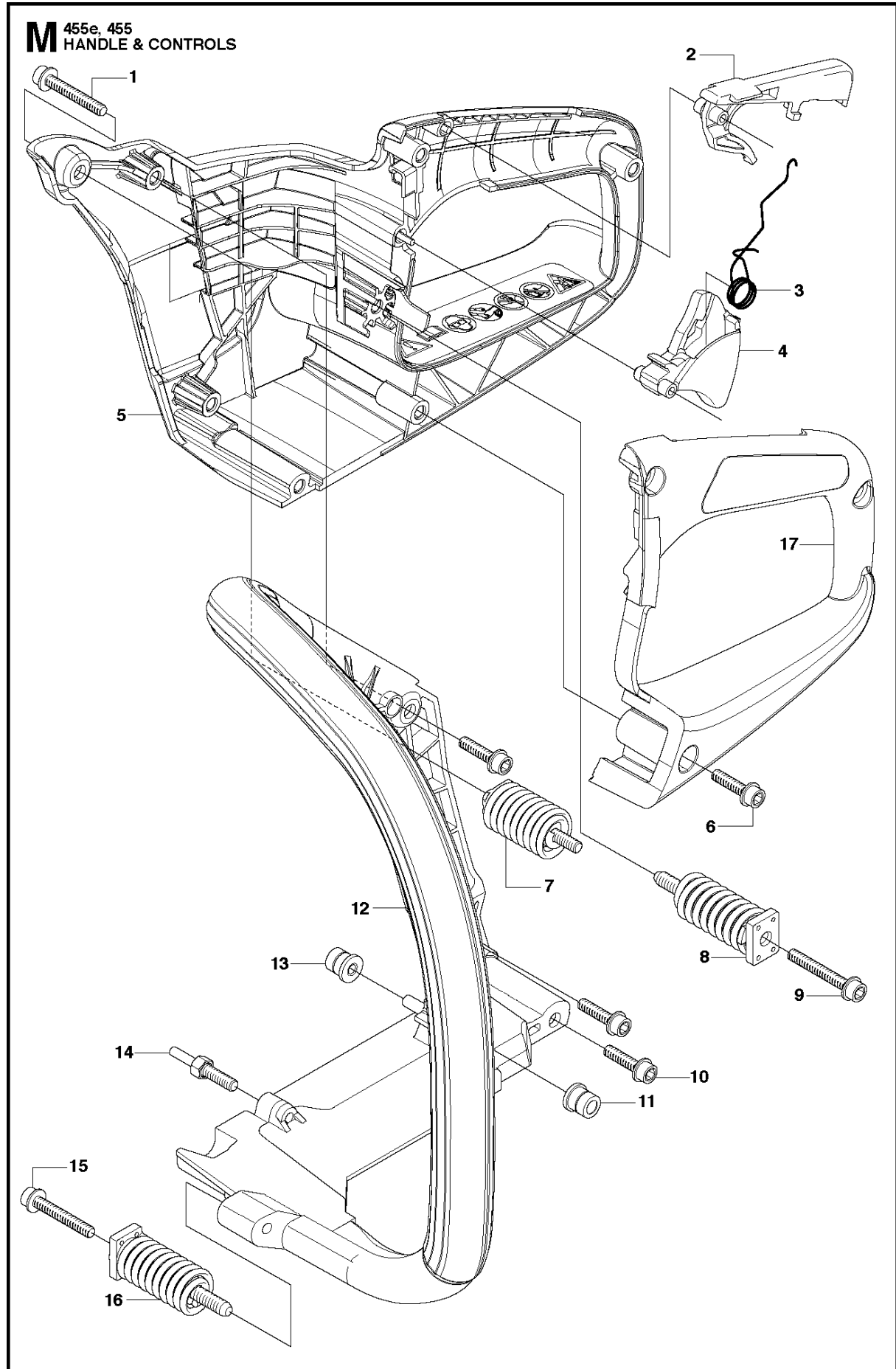
Ref	Part no.	Description	Remark	Qty	Kit
1	503 21 70-10	SCREW CCRPANT		1	
2	537 27 13-02	CHAIN GUIDE PLATE		1	
3	537 28 43-01	HAND GUARD		1	
4	537 29 65-01	SCREW		2	
5	503 86 93-01	CARBURETTOR MOUNTING		2	
6	537 26 04-01	BELLOWS		1	
7	537 33 46-02	BAR BOLT		2	17
8	537 22 78-01	BAR BOLT		1	17
9	503 89 24-01	LOCK		1	
10	503 43 65-01	POSITION SPRING		1	
11	537 40 35-01	FILTER		1	17
12	530 02 61-19	CHECK VALVE		1	17
13	503 97 38-01	BARKSTØD		1	
14	503 21 68-72	SCREW IHSCFT		2	
15	503 91 06-71	KIT		1	
16	537 35 95-01	TANK VENT ASSY		1	17
17	510 06 59-04	CRANKCASE		1	



FUEL SYSTEM

455 E, 2013-10

Ref	Part no.	Description	Remark	Qty	Kit
1	537 04 24-08	FUEL HOSE		1	
2	503 73 58-01	BUSHING		2	
3	544 32 50-02	FUEL HOSE		1	
4	503 44 32-01	FILTER		1	
5	537 04 24-02	FUEL HOSE		1	
6	503 22 69-02	NUT		3	
7	503 93 66-01	PRIMER HOUSING		1	
8	537 31 79-01	AIR NOZZLE		1	
9	503 21 74-12	SCREW IHSCT		1	
10	537 27 80-01	GROUND PLATE		1	
11	537 21 52-02	TANK CAP ASSY		2	
12	503 57 89-01	HOLDER		1	
13	537 21 50-01	SEALING		1	

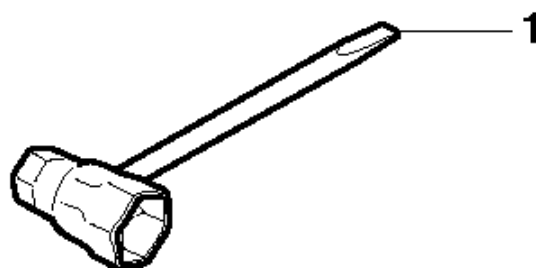


HANDLE & CONTROLS

455 E, 2013-10

Ref	Part no.	Description	Remark	Qty	Kit
1	503 21 88-76	SCREW IHSCFT		1	
2	502 44 02-01	THROTTLE LOCKOUT		1	
3	503 99 86-01	RECOIL SPRING		1	
4	537 26 05-03	THROTTLE TRIGGER		1	
5	580 94 59-01	REAR HANDLE		1	
6	503 21 02-70	SCREW IHSCFT		3	
7	537 30 46-01	ANTIVIBRATION ELEMENT		1	
8	503 85 41-01	ANTIVIBRATION ELEMENT		1	
9	503 21 88-76	SCREW IHSCFT		1	
10	503 21 02-70	SCREW IHSCFT		3	
11	503 86 92-01	LATERAL SUPPORT		1	
12	537 23 05-02	FRONT HANDLE		1	
13	503 86 92-01	LATERAL SUPPORT		3	
14	537 24 29-01	SCREW		1	
15	503 21 88-76	SCREW IHSCFT		1	
16	503 92 31-01	ANTIVIBRATION ELEMENT		1	
17	537 23 07-04	CAP		1	

P 455e, 455
ACCESSORIES

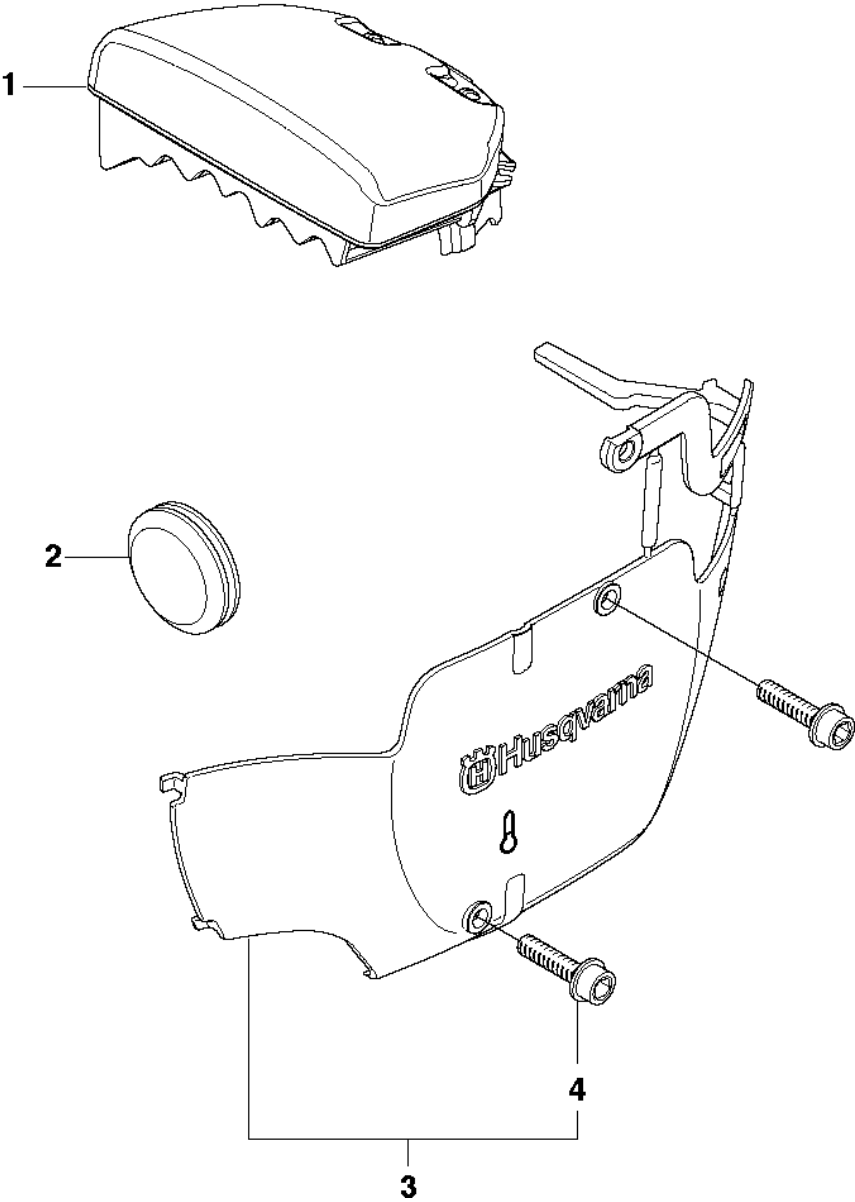


ACCESSORIES

455 E, 2013-10

Ref	Part no.	Description	Remark	Qty	Kit
1	501 69 17-01	COMBINATION WRENCH		1	

Q 455e, 455
WINTER KIT



WINTER KIT

455 E, 2013-10

Ref	Part no.	Description	Remark	Qty	Kit
1	537 25 57-01	AIR FILTER ASSY	μ80		
2	503 40 59-01	WINTER PLUG			
3	537 35 60-01	WINTER KIT			
4	503 21 70-16	SCREW CCRPANT			